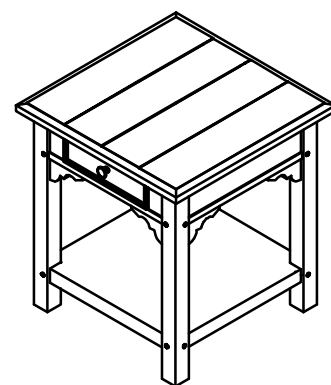


### Warning :

- Be sure to check all packing material carefully for small parts, which may have come loose inside the carton during shipment.
- To prevent possible scratches and damage, this furniture **MUST BE ASSEMBLED BY TWO PEOPLE** on a soft surface such as a blanket or carpet.

**Important Use Information:** We recommend using coasters, placemats and trivets when placing hot or cold containers on this item. It is also recommended to quickly cleanup any spills to minimize exposure to moisture. Doing so will prolong the life and look of the item for many years.

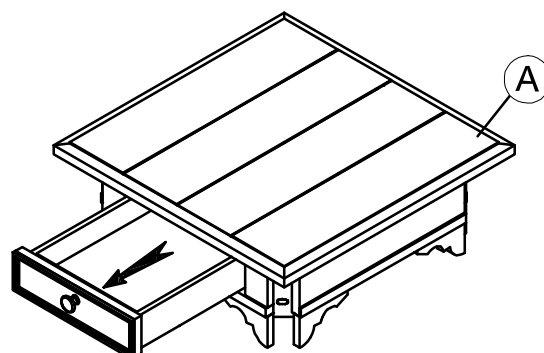


17209  
End Table

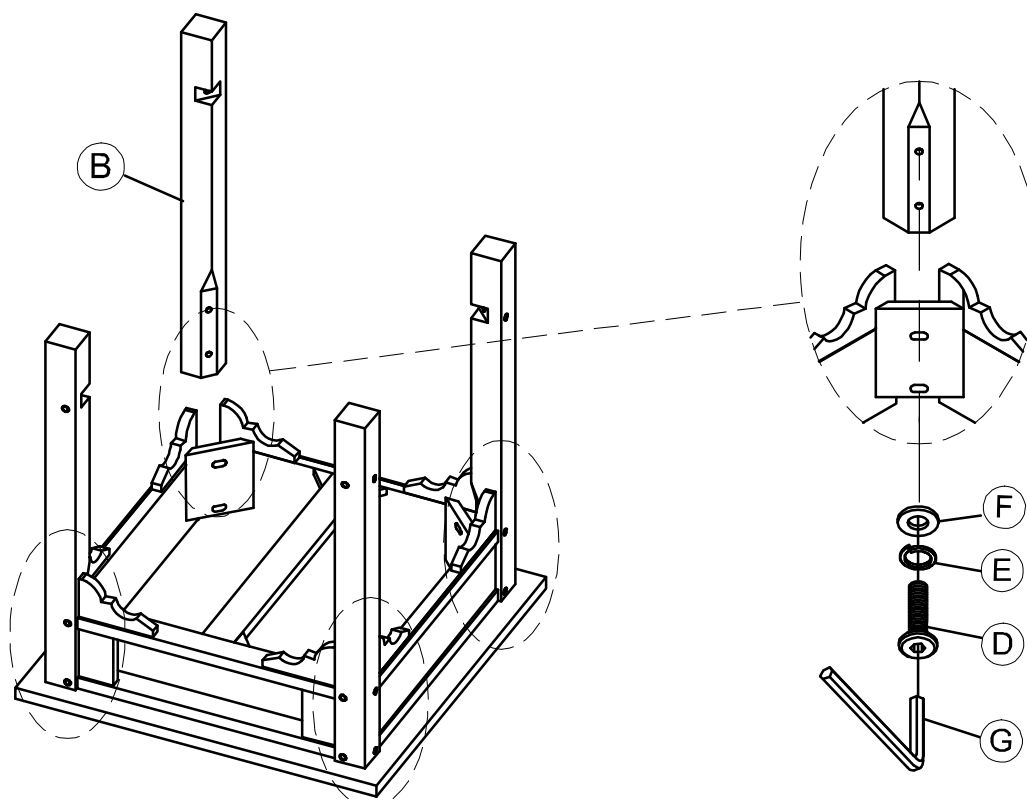
### Components and Hardware List

Top Assembly	Leg	Bottom Panel	Allen Head Bolt Ø1/4"- 20 x 2"	Spring Washer Ø1/4"	Flat Washer Ø1/4" x 3/4"	Allen Key 4 mm
1 pc.	4 pcs.	1 pc.	12 pcs.	12 pcs.	12 pcs.	1 pc.

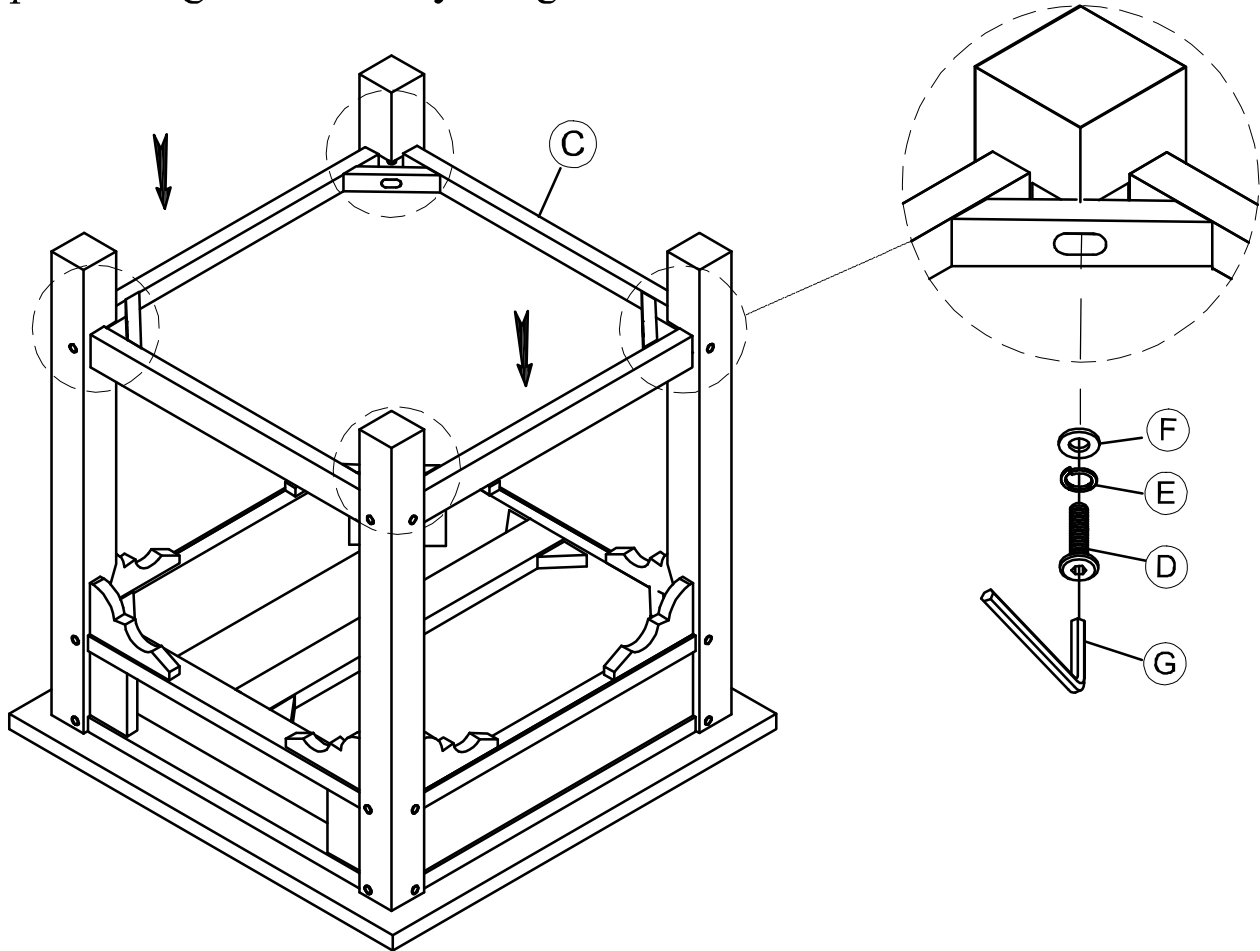
### Step 1 : Remove Drawer



### Step 2 : Do not fully tighten the bolts



Step 3 : Using the Allen key to tighten all bolts



Step 4 : Attach Drawer

